

SINGLE-BIN TRAILER



The Apple Picker's Best Friend!

Our Single-Bin Fruit Trailers are designed to streamline the handling of fruit bins throughout the orchard during harvest. These trailers will boost your efficiency immensely, quickly improving your bottom line.

Key Features:

- ✓ Minimal Cost
- ✓ Tight Turning Radius
- ✓ Smallest Footprint Available
- ✓ Pull As Many Trailers As You Like
- ✓ Low Ground Pressure
- ✓ Minimal Maintenance



EASTERN MANUFACTURING & DESIGN INC.

3069 Brooklyn St. , Aylesford Nova Scotia
CANADA

www.easternmfg.ca
sales@easternmfg.ca

902-300-2839



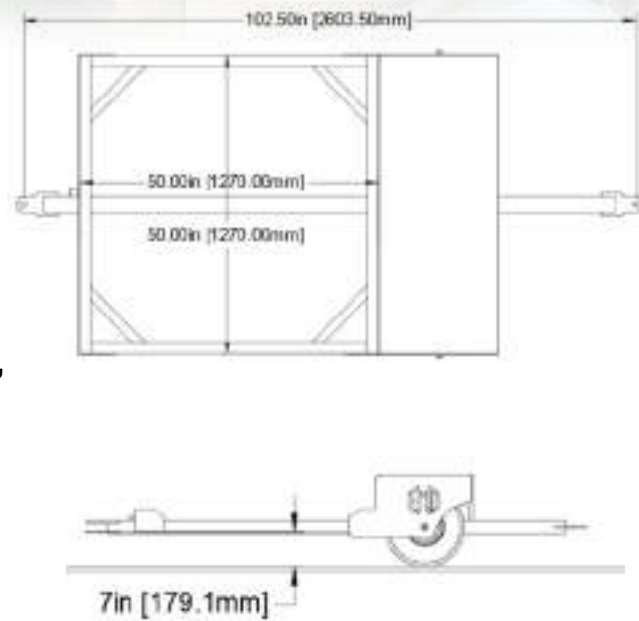
PRODUCT DETAILS



SINGLE-BIN FRUIT TRAILER

This Single-Bin Trailer is a great option to keep initial costs down. The design allows you to pick the number of trailers needed in order to optimize your picking efficiency.

With no hydraulics needed to operate the trailers, towing can be done by tractors, side-by-sides, quads, and even garden tractors. The train-style hitch allows the trailers to maneuver easily in tight spaces. With a footprint that's no wider than a bin, ladders can be set beside the trailer with room to spare. Four air-filled tires on sealed-bearing wheels at the back of the trailer, provide your fruit with a smooth maintenance-free ride.



- ✓ **Improve Productivity**
- ✓ **Reduce downtime from mechanical failures**
- ✓ **Deliver Higher Quality**
- ✓ **Provide Greater Yields**



EASTERN MANUFACTURING & DESIGN INC.

3069 Brooklyn St. , Aylesford Nova Scotia
CANADA

www.easternmfg.ca
sales@easternmfg.ca

902-300-2839